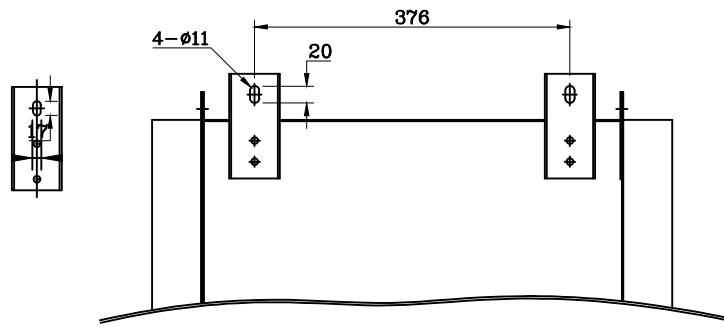
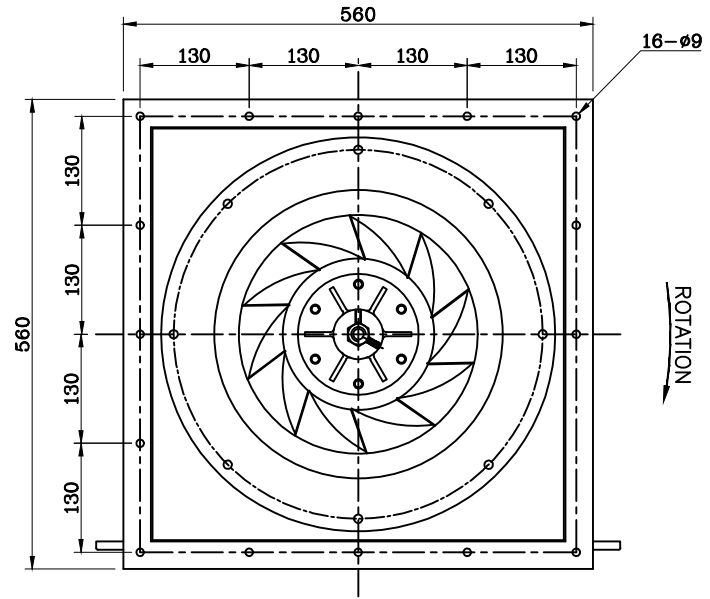
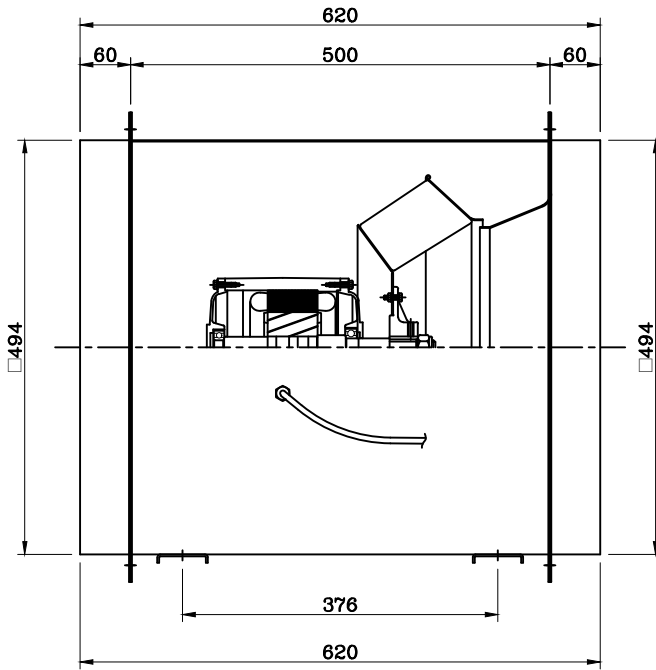


본 도면은 핫패밀리 소중하 자산이므로 임의로 배포를 금지합니다.



SERVICE	Duct type in-line Fan
BASIS FOR VENT.	Supp; y/Exhaust
MODEL NO.	HF-S-400
CAPACITY	35 m ³ /min
STATIC PRESSURE	30 mmAq
MOTOR TYPE	0.3kW 220V Ø1 6p 60Hz 1,130rpm

REVISIONS	NO	PARTICULARS	MAT'L	Q'TY	ONE	TOTAL	REMARKS
					WEIGHT	WEIGHT	
△	APPR'	B.C.K	M.C.NO.	PLANT	POSCO		
△	CHD	S.S.K	SCALE 1/5	TITLE	HF-S-400		
△	DWG	G.Y.P	ANGLE	Duct type in-line fan			
This Drawing and Information contained therein are the property of Hot Family. And may not be used and copied without the written consent of Hot Family.				DATE	2019.08.14	REF.NO	
				Hot Family		DRAWING NO	HF-190814-01